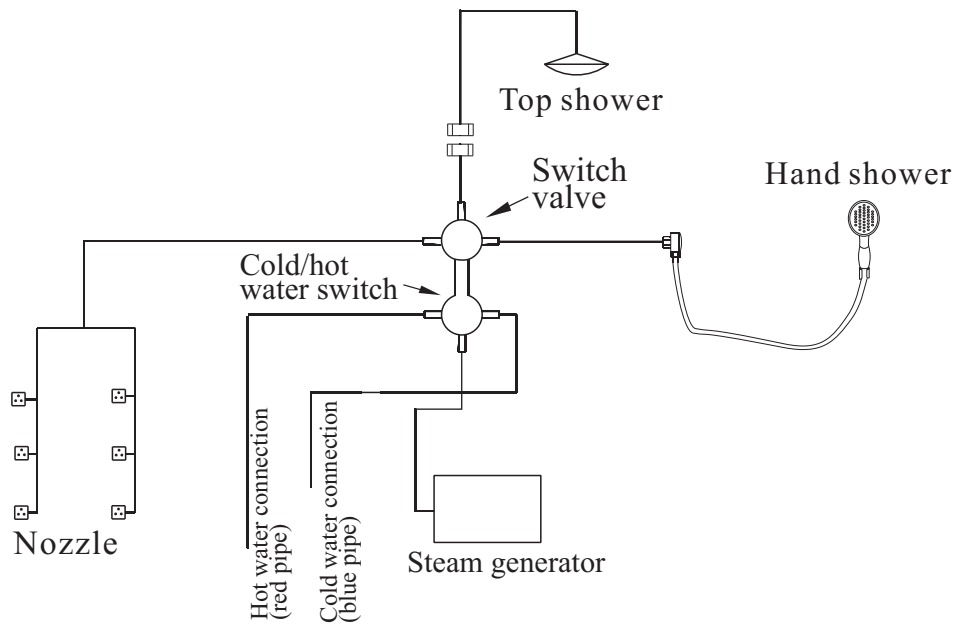


## DRAWING OF WATER CONNECTION

As the “” from the picture, please make the connection according to the serial number v1,v2,etc.



No advanced advice will be submit before we change our design and size.

The pictures may be a little different from the real products.

Our company keep the final explanation right.



**Do not dispose this product as unsorted municipal waste. Collection of such waste separately for special treatment is necessary.**



# Install manual

## Steam bathroom

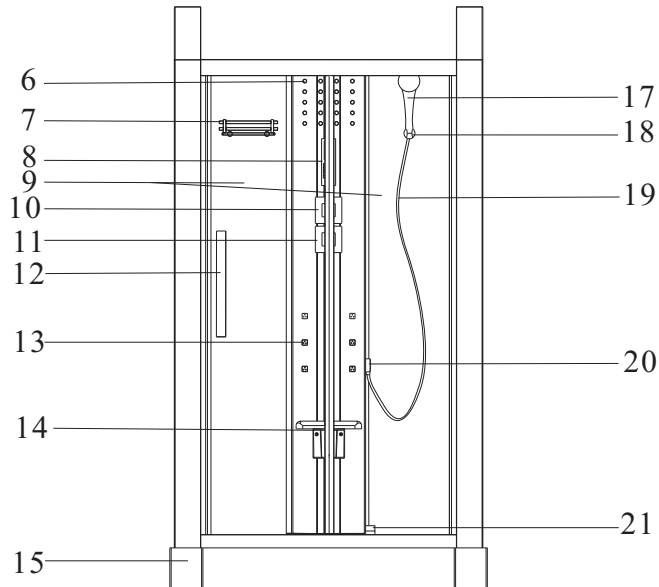
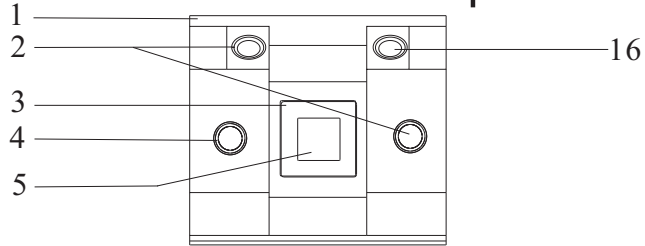
MODEL : WS-500



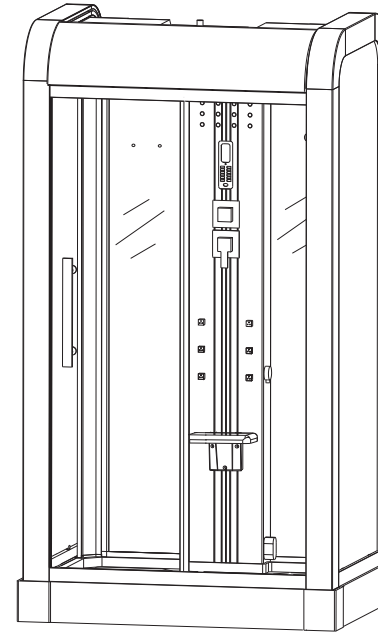
FOREWORD

• Welcome to purchase our steam bathroom. For use function of the unit well and dose not any trouble in use this product. For perfect operation and security, please read the manual carefully and keep it for the future reference. No further notice will be submitted if any changes in products. The explain property rights owned by our company if there is no any particular or mistake about it.

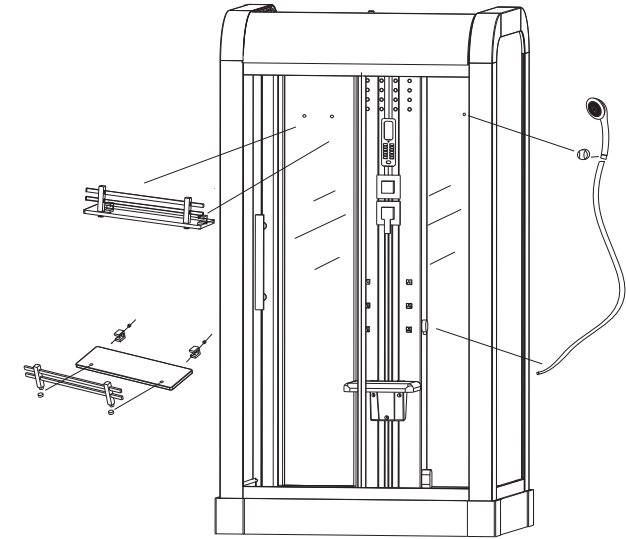
● Identification of components



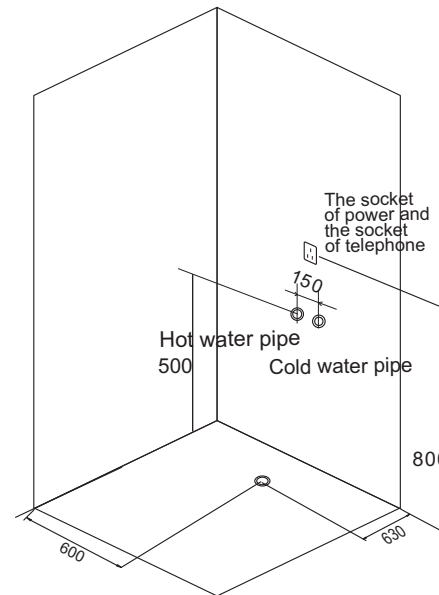
- |                |                           |                      |
|----------------|---------------------------|----------------------|
| 1. roof        | 8. control panel          | 15. base             |
| 2. speaker     | 9. mirror body            | 16. ozone            |
| 3. top light   | 10. water switch          | 17. hand shower      |
| 4. exhaust fan | 11. hot/cold water switch | 18. shower root      |
| 5. top shower  | 12. handle                | 19. shower chain     |
| 6. wall lamp   | 13. water jet             | 20. shower connector |
| 7. glass rock  | 14. seat                  | 21. Steam outlet     |



Setp 10

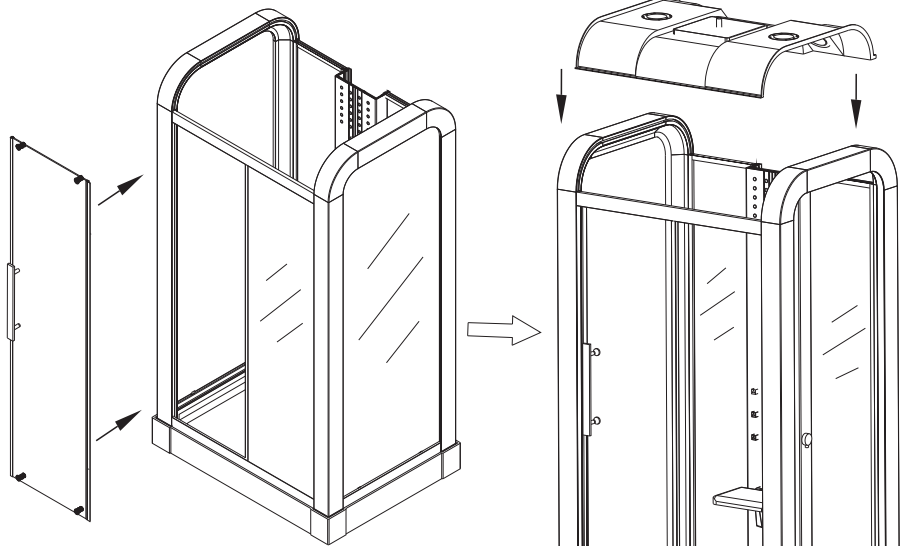


Step 11



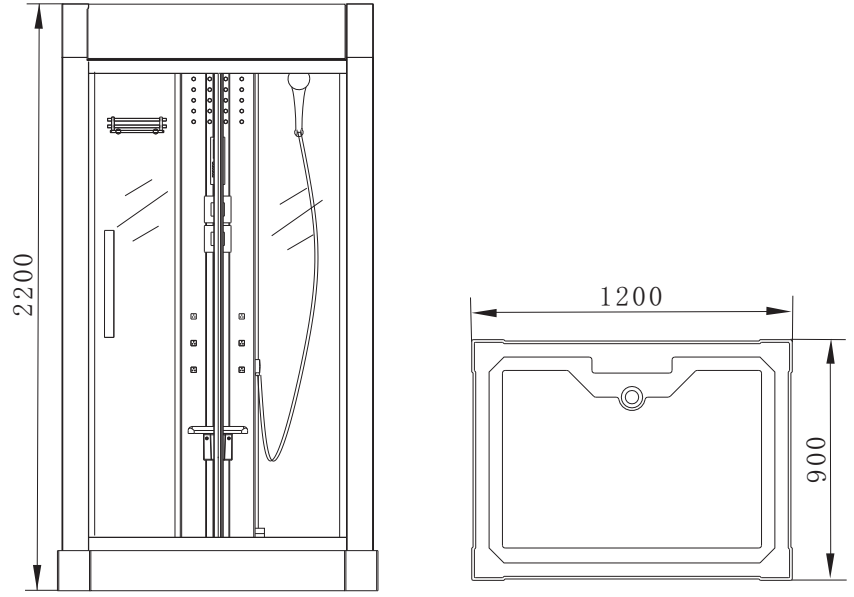
1. Install the steam bathroom in a proper way and have the electrician or professional personnel to install the unit, the company won't take the responsibility for any improper installation and usage.

2. The application of the product shall observe the operating instructions, dismantling and alteration without authorization is prohibited, the manufacturer shall not take the responsibility for any problems resulted from improper use or dismantling by one's self.

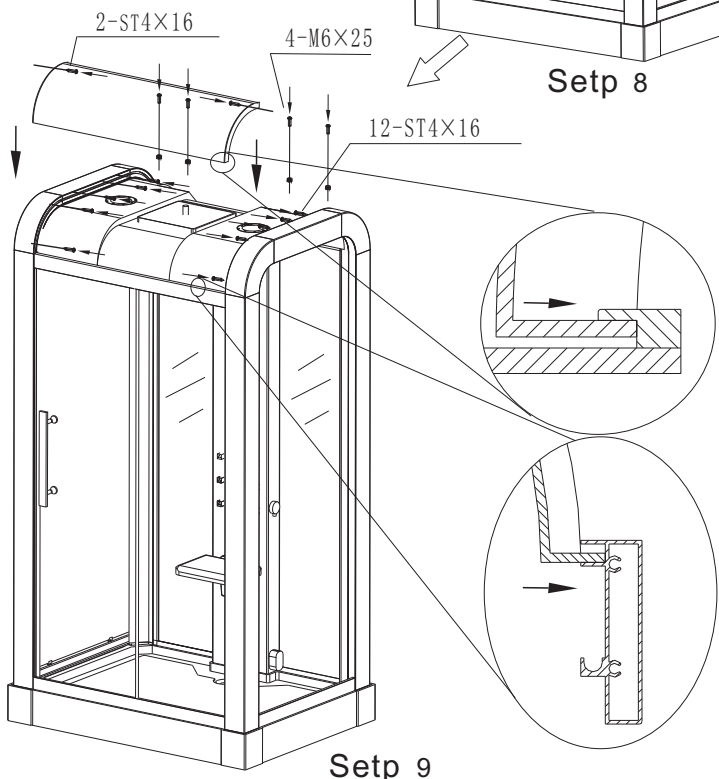


Setp 7

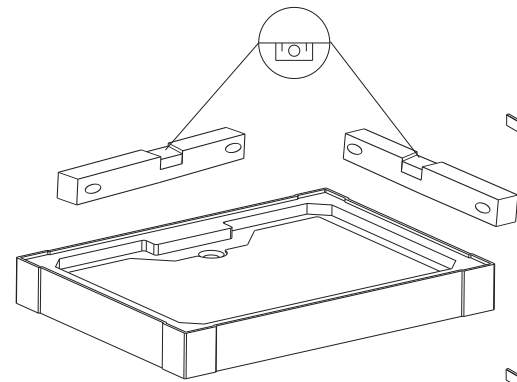
Setp 8



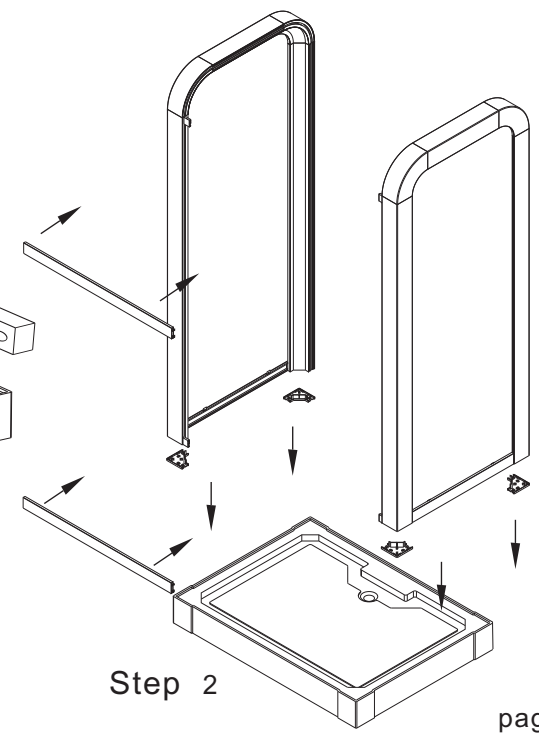
● Please follow the steps to install the unit.



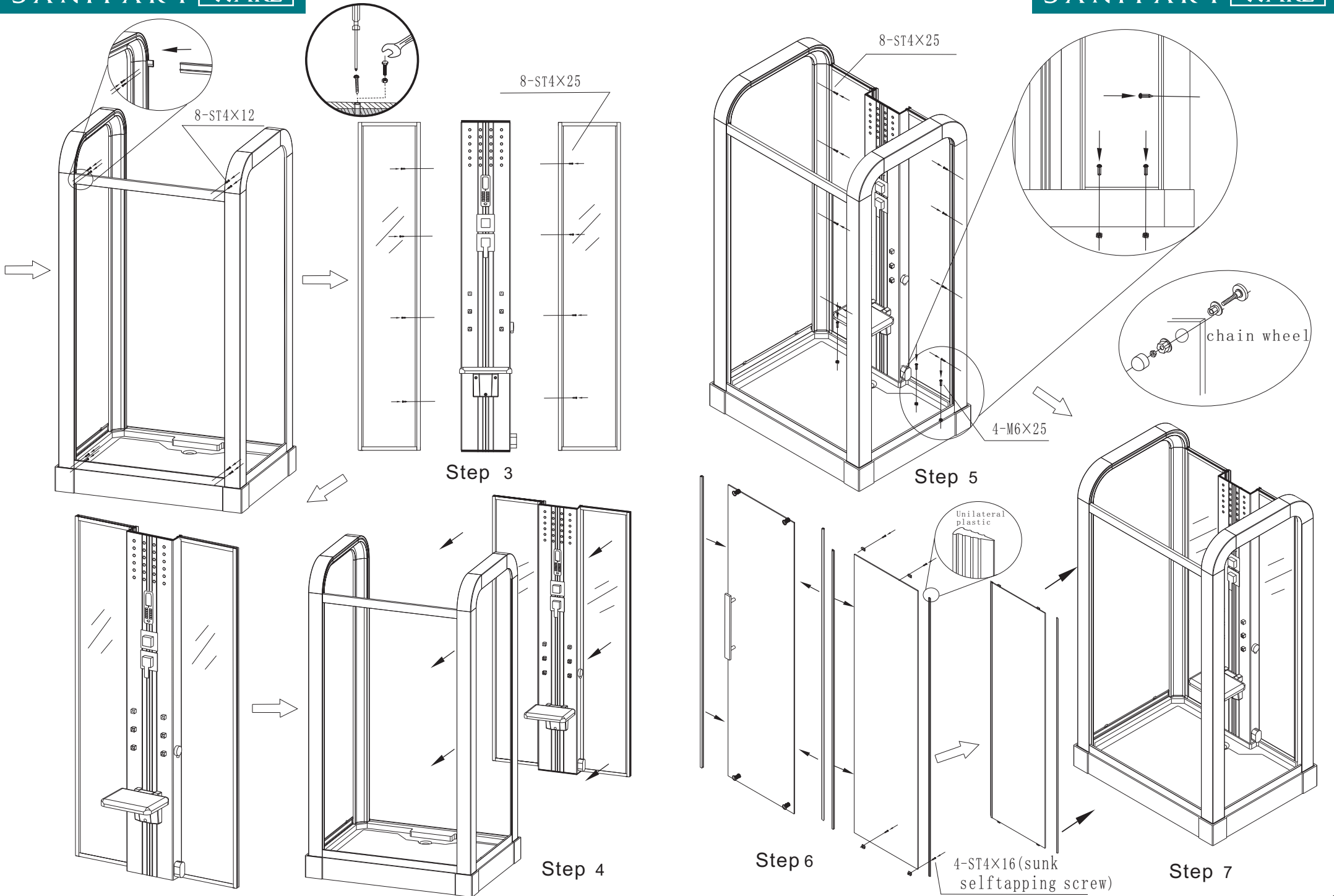
Setp 9



Step 1



Step 2



## Technical parameters

### Operating Condition & Specification

Rated Volt	AC 220 V <input type="checkbox"/> AC 110 V <input type="checkbox"/>	Rated Frequency	50Hz 60Hz
Rated Current	13.6A	Rated Watt	3050W
Isolated Resistant	> 20 M	Leak current	Standard test
Waterproof grade	IPX5	Leak protect current	(15 ~ 30)mA

### Load Details

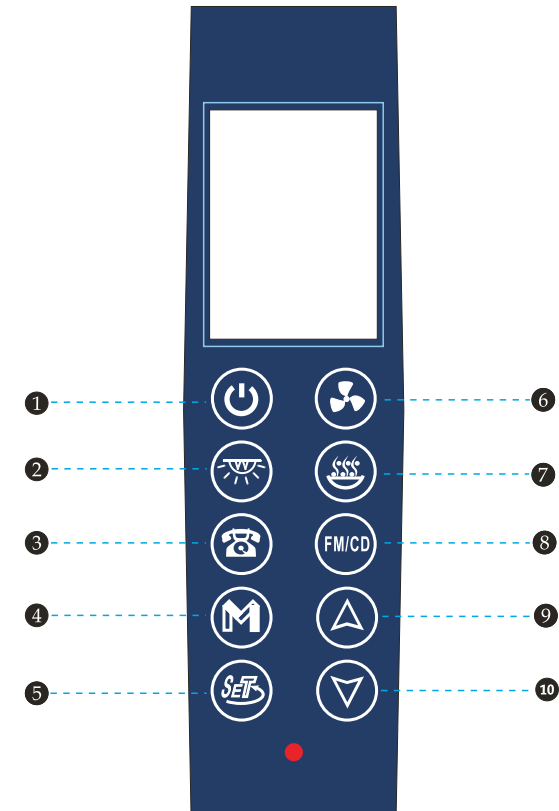
Load	Rated Volt	Rated Frequency	Rated Watt	Quantity
Steam	Ac220 V <input type="checkbox"/> Ac110 V <input type="checkbox"/>	50Hz/60Hz	3kW	1
Head light	Ac12 V	50Hz/60Hz	22W	1
Fan	Dc12 V	—	4W	1
Speaker			8 Ω/10W	1 (or 2)
Ozone	Ac12 V		5W	1

### Dimension

Control panel	L*W*H= 150 * 100*50 (mm)
Control box	L*W*H= 200 * 173 * 83 (mm)

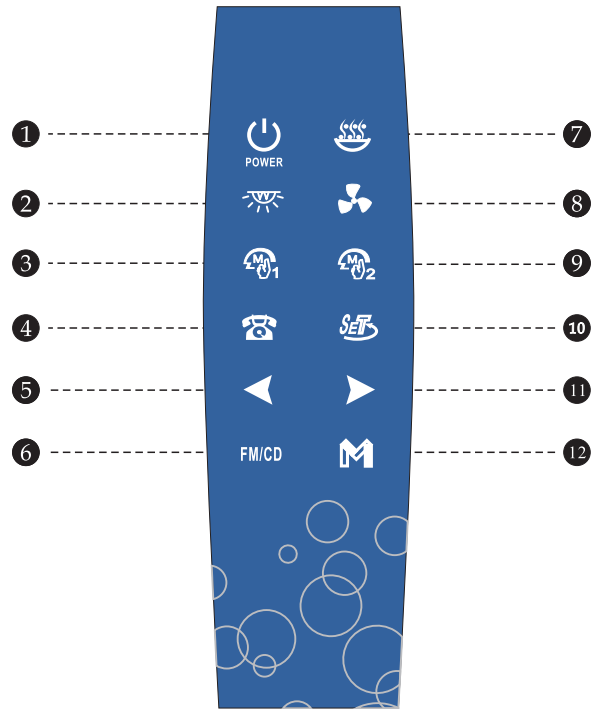
:

## Control Panel



- |                           |                            |
|---------------------------|----------------------------|
| ① ----- ON/OFF/UNLOCK     | ⑥ ----- EXHAUST FAN        |
| ② ----- LIGHT             | ⑦ ----- STEAM              |
| ③ ----- Telephone         | ⑧ ----- FM/ CD             |
| ④ ----- FM CHANNEL MEMORY | ⑨ ----- Up adjusting key   |
| ⑤ ----- PARAMETER SET     | ⑩ ----- Down adjusting key |







## Remote Control



- |                         |                       |
|-------------------------|-----------------------|
| ① ----- ON/OFF          | ⑦ ----- STEAM         |
| ② ----- LIGHT           | ⑧ ----- FAN           |
| ③ ----- MODEL 1         | ⑨ ----- MODE 2        |
| ④ ----- Telephone       | ⑩ ----- PARAMETER SET |
| ⑤ ----- DOWN ADJUST KEY | ⑪ ----- UP ADJUST KEY |
| ⑥ ----- CD/ FM          | ⑫ ----- MEM CHANNEL   |

IV. Steam temperature and time adjust, radio channel&volume choose,

### Mode memory

Touch  on control panel or  on remote control, system will go into steam temperature set state- Steam time set- radio channel search- mode 1 memory- mode 2 memory- volume adjust state in order. During this time, you can touch key  and  on control panel or  and  on remote control to adjust parameter (only when radio on, radio channel search icon will be shown on LCD screen.)



#### 1. Steam temperature adjust



In steam temperature set state, the temperature set icon flash, temperature setting range is from 25C to 60C.



#### 2. Steam time adjust

In steam time set state, the time icon flash, time setting range is from 1 minute to 99 minutes.

#### 3. Channel search(radio on state )

1) Channel search: when in channel search state, its icon flash. Touch keys  and 



On control panel or  and  on remote control to search channel. If touch keys last for 1 second can search channel automatically. When reach one available channel, system stop reach and play this channel.

2) When reach one useful channel, touch key firstly  or  on remote control can memory this frequency in current channel. Touch again can memory it in next channel.

There are total 10 channels can be memorized.

3) Radio frequency range is 87.5-108MHZ.

#### 4. Model memory

1) When in model mem state, Model 1 icon flash and system show weather memory current state for next use directly. If touch key  or  on remote control can memory current state in Model 1.



2)model memory state has temperature and time, light, fan, radio channel and volume.

The way of Model 2 is the same as Model 1.

#### V. Start Model.

Touch keys  or  on remote control can start directly saved model.



#### VI. Steam

Touch key  or  on remote control, steam function on, its icon flash. Touch again, steam function off. The default temperature is 45 degree and the default time is 45 minutes. The lack water icon flash when steam generator lack water.

#### VII. Channel switch

In radio play state, touch key  or  on remote control can switch channel (1-10channle).

#### VIII. Fan

Touch key  or  on remote control can start fan function and its icon flash.

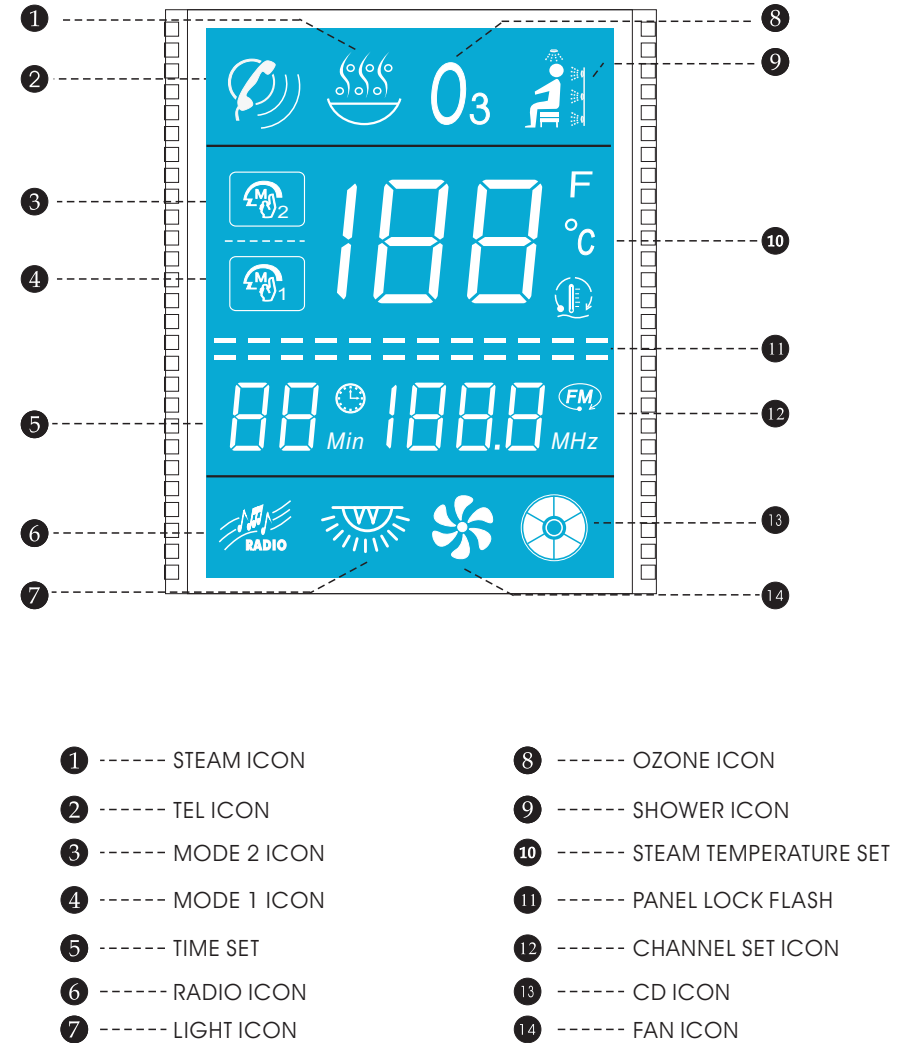
Touch again can stop fan function.

#### IX. Light

Touch key  or  on remote control can start light function.

Touch again can stop light function.

### LCD screen





## NOTICE

**1. This panel is touch button. So avoid to face directly to the shower or spray head, Otherwise, it would lead wrong operation or panel lock.**

**2. The keys on panel are the place of the best range of touch.**

**3. This panel use anti-spray water technology. When check mistake operation(touch two keys or more keys at the same time). System stop working for 1second.**

**4. In panel lock state, touch keys except  button, system do not have operation. Touching key  will unlock panel, LCD background light is lit. All keys are activated.**


### FUNCTION


- |                               |                                |
|-------------------------------|--------------------------------|
| 1. Light                      | 2. Fan                         |
| 3. Steam                      | 4. Teleponer                   |
| 5. CD/ FM                     | 6. Ozone                       |
| 7. Stema Temperature and time | 8. Radio Channel/Volume adjust |

### OPERATION

#### I. ON/OFF/UNLOCK

##### 1. Power On

1) Touch any button for 1.5 seconds, the background light is on. If you touch  in 10 seconds, system is activated.



If no touch  for 10 seconds, the background light turn off, meanwhile, system off.

2) Pressing button  on remote control, system will be on.

##### 2. Power Off

When system is on, touch button  on control panel or  on remote control, System will be off, background light last for 10 seconds and then off.

##### 3. Panel lock/unlock

When system is on and not in parameter set state, there is not any touch for 10 seconds and LCD display flash . Then all buttons lock automatically except  (the time is 15 seconds when in parameter set state but no data adjusting operation).

When in panel lock state, touch button  will unlock panel. The background light turn on and all buttons are activated.



## 4. Water Drain

The system will drain water for 3 minutes automatically after turn off system 30 minutes.



## 5. Ozone

The ozone will start and last for 10 minutes after turn off system. During background light (10 seconds) is on, you can see ozone icon is on.

## II. Telephone receive

When the tel is ring, tel icon on LCD screen flash, Radio/CD and shower function stop automatically. Touch key  on control panel or  on remote control can receive the telephone. Pressing this button again, telephone stop, shower and Radio/CD work again.

## III. FM/CD

1) When no tel ring, press  button on control panel or  on remote control firstly, Radio works, radio icon flash. Radio channel and volume recall the last using memory. Pushing this button again, Radio stop and CD function start, CD icon flash. Press this key thirdly, CD stop.

2) When have tel ring, the key is tel key in default.